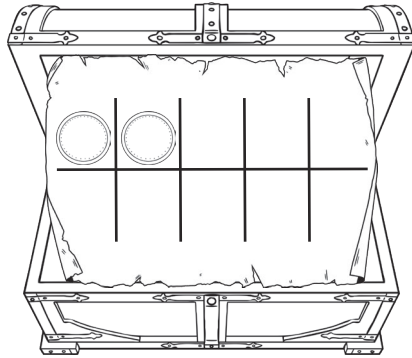


Adding More Treasure to Pirate Patch's Chest

Add more coins to each treasure chest. Can you work out how many coins Pirate Patch has in each chest?

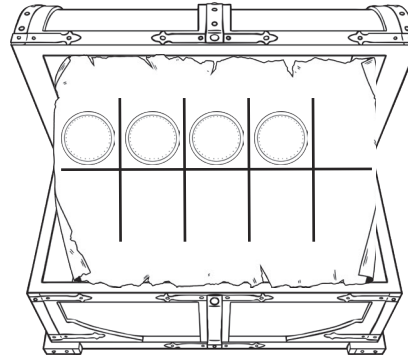


Add 2 more coins.



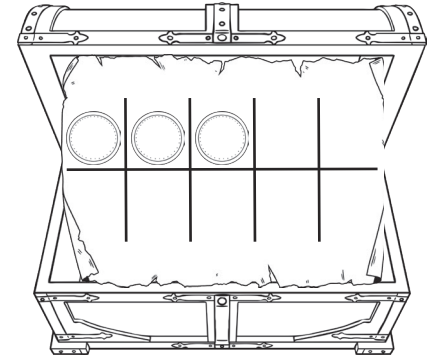
$$2 + \square = \square$$

Add 1 more coin.

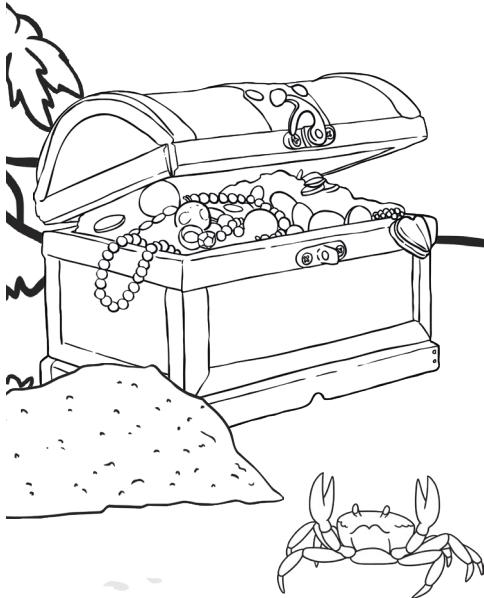


$$4 + \square = \square$$

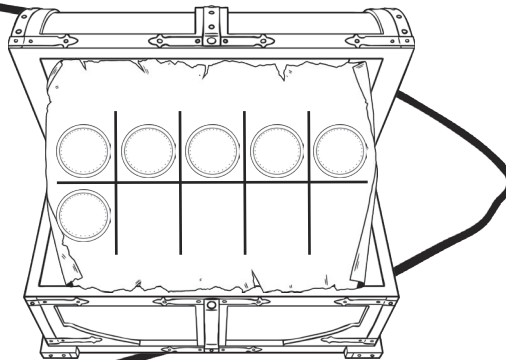
Add 3 more coins.



$$3 + \square = \square$$

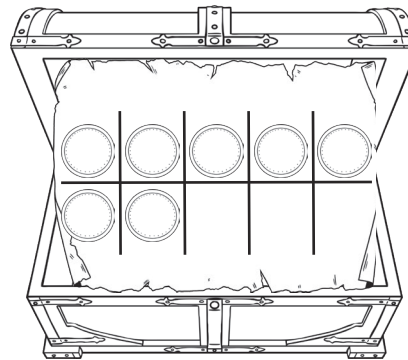


Add 1 more coin.



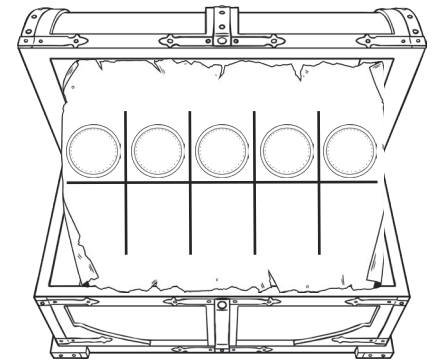
$$6 + \square = \square$$

Add 2 more coins.



$$7 + \square = \square$$

Add 3 more coins.



$$5 + \square = \square$$